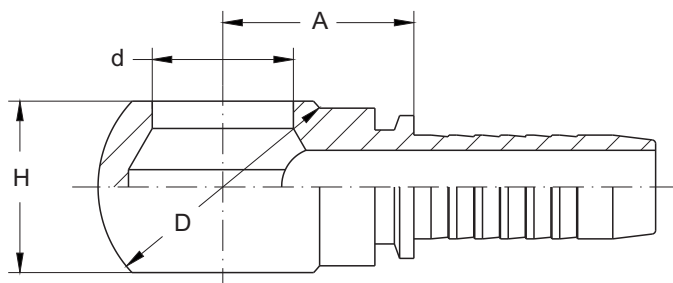


BANJO FITTING AND BOLT FOR HOSE/PIPE OF BRAKE OR FUEL LINE

铰接接头 Banjo Hose Fitting DIN 7642 standard



公制铰接体
METRIC BANJO
DIN 7642

70011

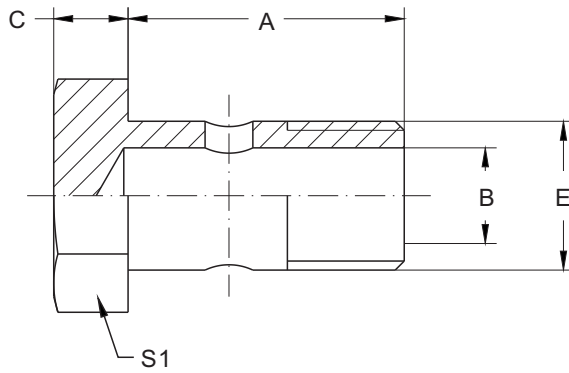
型号 PART NO.	螺栓 (BOLT)	软管 HOSE BORE		尺寸 DIMENSIONS			
		公称内径 DN	标号 DASH	A	d	D	H
70011-10-03	M10x1	5	03	14.5	10.1	17	10
70011-10-04	M10x1	6	04	17	10.1	17	10
70011-12-04	M12x1.5	6	04	20.5	12.1	20	12
70011-12-05	M12x1.5	8	05	20.5	12.1	20	12
70011-12-06	M12x1.5	10	06	20.5	12.1	20	12
70011-14-04	M14x1.5	6	04	19	14.1	24	14
70011-14-05	M14x1.5	8	05	19	14.1	24	14
70011-14-06	M14x1.5	10	06	21	14.1	24	14
70011-16-04	M16x1.5	6	04	20.5	16.1	28	16
70011-16-05	M16x1.5	8	05	20.5	16.1	28	16
70011-16-06	M16x1.5	10	06	20.5	16.1	28	16
70011-18-04	M18x1.5	6	04	23	18.1	32	20
70011-18-05	M18x1.5	8	05	24	18.1	32	20
70011-18-06	M18x1.5	10	06	24	18.1	32	20
70011-18-08	M18x1.5	12	08	24.5	18.1	32	20
70011-22-06	M22x1.5	10	06	28.1	22.1	39	25
70011-22-08	M22x1.5	12	08	28.5	22.1	39	25
70011-22-10	M22x1.5	16	10	27.5	22.1	39	25
70011-26-12	M26x1.5	20	12	33.5	26.1	46	30
70011-30-16	M30x1.5	25	16	37	30.2	54	36
70011-30-20	M30x1.5	32	20	41	30.1	54	36

注：1.表中型号用于编织软管。
Note: 1.For use with braided hoses.

2.如需用于缠绕软管型号改为 70012XX-XX。
2.If use with spiral hoses,hose fitting series number is 70012XX-XX.

BANJO FITTING AND BOLT FOR HOSE/PIPE OF BRAKE OR FUEL LINE

铰接接头 Banjo bolt with Metric thread DIN 7643 standard



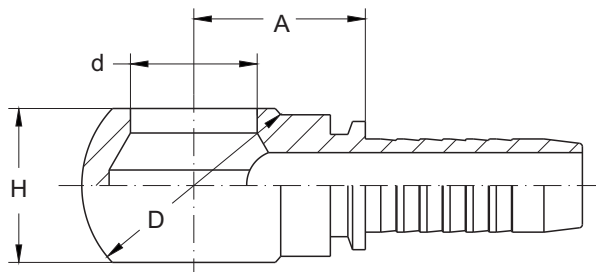
公制铰接螺栓
METRIC BOLT
DIN 7643

700M

型号 PART NO.	螺纹E THREAD E	尺寸 DIMENSIONS			
		A	B	C	S1
700M-10	M10x1	19	4	6	14
700M-12	M12x1.5	24	6	6	17
700M-14	M14x1.5	26	8	7	19
700M-16	M16x1.5	28	9	7.5	22
700M-18	M18x1.5	32	11	8	24
700M-22	M22x1.5	39	14	9	27
700M-26	M26x1.5	45	18	10	32
700M-30	M30x1.5	51	22	11	38

BANJO FITTING AND BOLT FOR HOSE/PIPE OF BRAKE OR FUEL LINE

铰接接头 Banjo Hose Fitting for BSPP bolt



英制铰接体
BSPP BANJO

72011

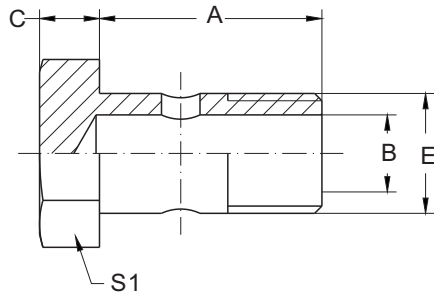
型号 PART NO.	螺纹E THREAD E	软管 HOSE BORE		尺寸 DIMENSIONS			
		公称内径 DN	标号 DASH	A	d	D	H
72011-02-03	G1/8x28	5	03	18	9.9	24	16
72011-02-04	G1/8x28	6	04	18.5	9.9	24	16
72011-04-03	G1/4x19	5	03	19	13.3	24	15
72011-04-04	G1/4x19	6	04	19.5	13.3	24	15
72011-04-05	G1/4x19	8	05	19.5	13.3	24	15
72011-04-06	G1/4x19	10	06	19.5	13.3	24	15
72011-06-04	G3/8x19	6	04	22	16.7	29	20
72011-06-05	G3/8x19	8	05	22.5	16.7	29	20
72011-06-06	G3/8x19	10	06	22.5	16.7	29	20
72011-06-08	G3/8x19	12	08	23	16.7	29	20
72011-08-05	G1/2x14	8	05	27.5	21	38	25
72011-08-06	G1/2x14	10	06	27.5	21	38	25
72011-08-08	G1/2x14	12	08	28	21	38	25
72011-08-10	G1/2x14	16	10	28.5	21	38	25
72011-10-10	G5/8x14	16	10	30	23	40	27
72011-12-10	G3/4x14	16	10	31.5	26.5	48	31
72011-12-12	G3/4x14	20	12	32	26.5	48	31
72011-16-08	G1x11	12	08	40	33.3	60	42
72011-16-12	G1x11	20	12	40	33.3	60	42
72011-16-16	G1x11	25	16	41	33.3	60	42

注：1.表中型号用于编织软管。
Note: 1.For use with braided hoses.

2.如需用于缠绕软管型号改为 72012XX-XX。
2.If use with spiral hoses,hose fitting series number is 72012XX-XX.

BANJO FITTING AND BOLT FOR HOSE/PIPE OF BRAKE OR FUEL LINE

铰接接头 Banjo Bolt with BSPP thread



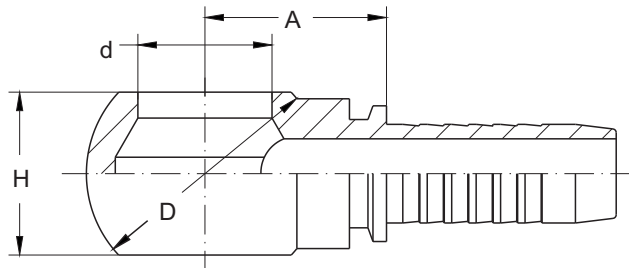
英制铰接螺栓
BSPP BOLT

720B

型号 PART NO.	螺纹E THREAD E	尺寸 DIMENSIONS			
		A	B	C	S1
720B-02	G1/8x28	29.5	4.8	4.8	14
720B-04	G1/4x19	28.5	6	6	19
720B-06	G3/8x19	38.5	9	7	22
720B-08	G1/2x14	44	13	8.5	27
720B-10	G5/8x14	48.5	15	10	30
720B-12	G3/4x14	56	18	10	32
720B-16	G1x11	68.5	22	13	41

BANJO FITTING AND BOLT FOR HOSE/PIPE OF BRAKE OR FUEL LINE

铰接接头 Banjo Hose Fitting JB standard in China



部标公制铰接体
JB METRIC BANJO

71011

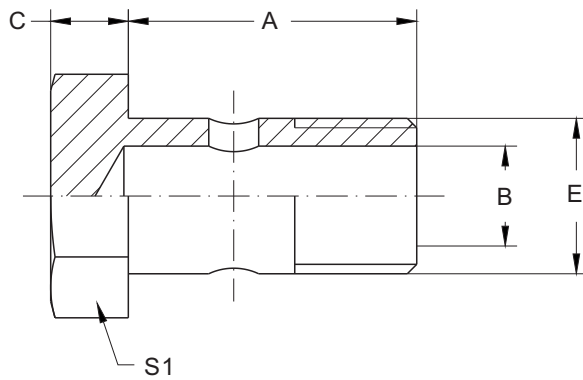
型号 PART NO.	螺栓 (BOLT)	软管 HOSE BORE		尺寸 DIMENSIONS			
		公称内径 DN	标号 DASH	A	d	D	H
71011-06-04	M6x1	6	04	16	6	18	12
71011-08-04	M8x1	6	04	17	8	20	13
71011-10-04	M10x1	6	04	19	10	22	13
71011-10-05	M10x1	8	05	19	10	22	13
71011-10-06	M10x1	10	06	19	10	22	13
71011-12-06	M12x1.5	10	06	21	12	26	15
71011-14-04	M14x1.5	6	04	20.5	14	28	18
71011-14-05	M14x1.5	8	05	21.5	14	28	18
71011-14-06	M14x1.5	10	06	21.5	14	28	18
71011-14-08	M14x1.5	12	08	22.5	14	28	18
71011-16-05	M16x1.5	8	05	22.5	16	32	18
71011-16-08	M16x1.5	12	08	25	16	32	18
71011-18-06	M18x1.5	10	06	26.5	18	36	22
71011-18-08	M18x1.5	12	08	27	18	36	22
71011-18-10	M18x1.5	16	10	27.5	18	36	22
71011-20-06	M20x1.5	10	06	29.5	20	36	22
71011-20-08	M20x1.5	12	08	30	20	36	22
71011-22-10	M22x1.5	16	10	30.5	22	46	30
71011-22-12	M22x1.5	20	12	32	22	46	30
71011-27-10	M27x2	16	10	36.5	27	56	36
71011-27-14	M27x2	22	14	36	27	56	36
71011-27-16	M27x2	25	16	36	27	56	36
71011-33-12	M33x2	20	12	43	33	64	50
71011-42-20	M42x2	32	20	54	42	78	64

注：1.表中型号用于编织软管。
Note: 1.For use with braided hoses.

2.如需用于缠绕软管型号改为 71012-XX-XX。
2.If use with spiral hoses,hose fitting series number is 71012-XX-XX.

BANJO FITTING AND BOLT FOR HOSE/PIPE OF BRAKE OR FUEL LINE

铰接接头 Banjo Bolt with Metric thread JB standard in China



部标公制铰接螺栓
JB METRIC BANJO

710M

型号 PART NO.	螺纹E THREAD E	尺寸 DIMENSIONS			
		A	B	C	S1
710M-10	M10x1	25	4	6	17
710M-14	M14x1.5	32	8	7	19
710M-18	M18x1.5	38	11	8	24
710M-22	M22x1.5	48	14	9	30
710M-27	M27x2	60	18	10	36
710M-33	M33x2	63	22	12	41
710M-42	M42x2	85	28	14	55